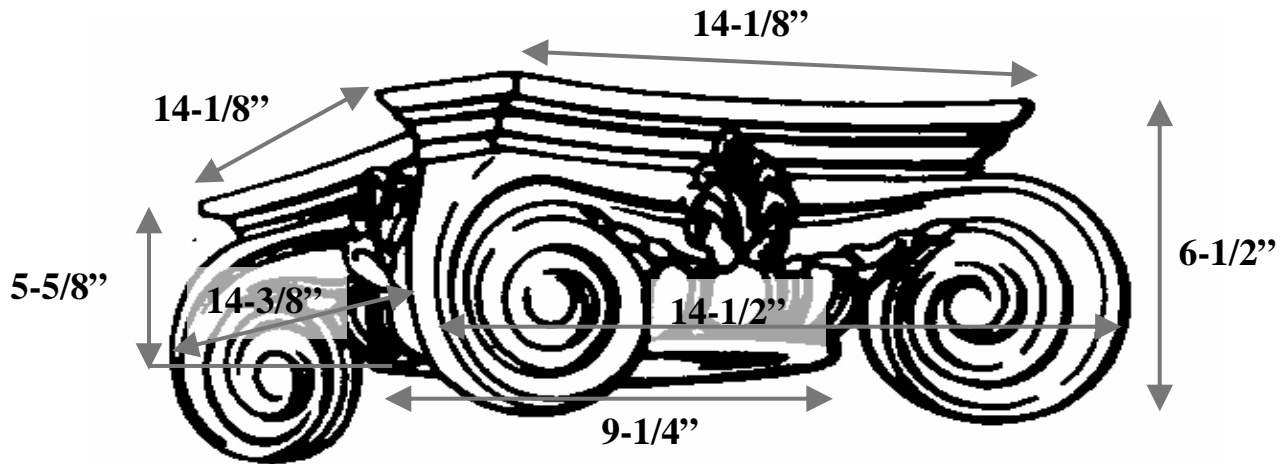


# Decorative Capitals For Round Columns

Marble Fiberglass Reinforced Polymer Composite Product Manufactured By Timeless Architectural Reproductions, Inc.™

## 10" Empire



Item #	E10-15
Material	Resin and marble composite
Load Bearing	Yes
Product Weight	23 lbs
Shipping Weight	30 lbs
Base	9-1/4"
Inside Ring	5-5/8" (ring not shown)
Outside Ring	7-1/4"
Capital Height	5-5/8"
Abacus	14-1/8" x 14-1/8"
Scroll to Scroll	14-1/2" x 14-3/8"
Scroll Height	6-1/2"



**TIMELESS ARCHITECTURAL REPRODUCTIONS, INC.™**

*Designers & Manufacturers of Classic Architectural Products*

2655 Northgate Avenue  
Cumming, GA 30041  
(770) 205-1446 • (800) 665-4341 Office  
(770) 205-1447 Fax  
[www.TimelessArchitectural.com](http://www.TimelessArchitectural.com)

