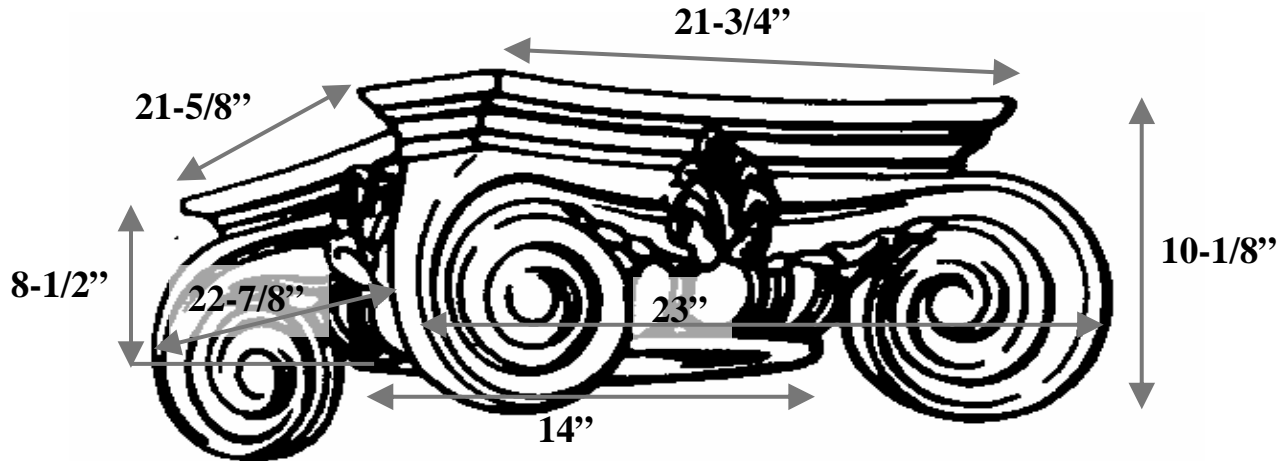


Decorative Capitals For Round Columns

Marble Fiberglass Reinforced Polymer Composite Product Manufactured By Timeless Architectural Reproductions, Inc.™

16" Empire



Item #	E16-91
Material	Resin and marble composite
Load Bearing	Yes
Product Weight	86 lbs
Shipping Weight	95 lbs
Base	14"
Inside Ring	9-1/8" (ring not shown)
Outside Ring	10-1/2"
Capital Height	8-1/2"
Abacus	21-3/4" x 21-5/8"
Scroll to Scroll	23" x 22-7/8"
Scroll Height	10-1/8"



TIMELESS ARCHITECTURAL REPRODUCTIONS, INC.™

Designers & Manufacturers of Classic Architectural Products

2655 Northgate Avenue
Cumming, GA 30041
(770) 205-1446 • (800) 665-4341 Office
(770) 205-1447 Fax
www.TimelessArchitectural.com

