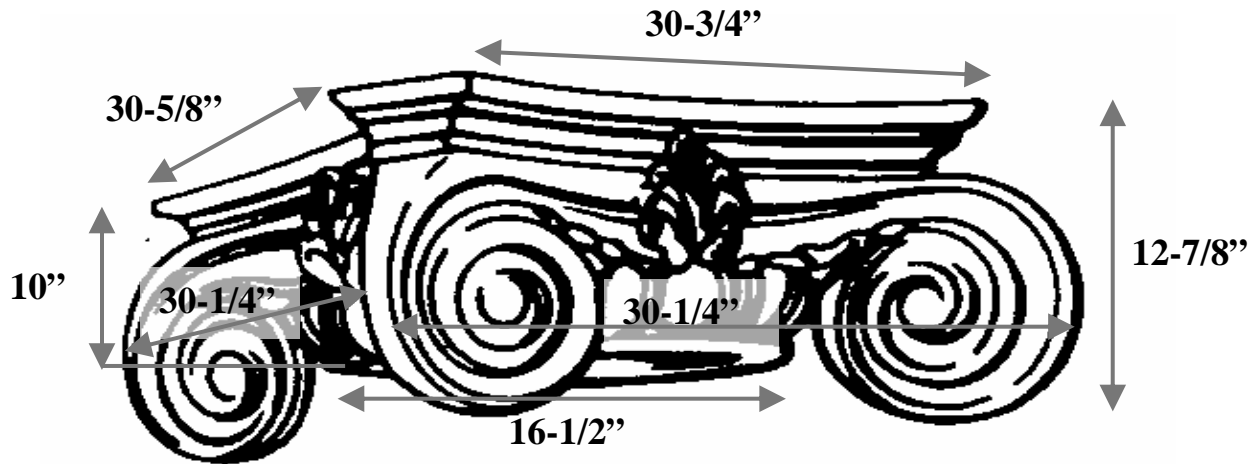


Decorative Capitals For Round Columns

Marble Fiberglass Reinforced Polymer Composite Product Manufactured By Timeless Architectural Reproductions, Inc.™

18" Empire



Item #	E18-75
Material	Resin and marble composite
Load Bearing	Yes
Product Weight	185 lbs
Shipping Weight	235 lbs
Base	16-1/2"
Inside Ring	9-1/4" (ring not shown)
Outside Ring	11-3/4"
Capital Height	10"
Abacus	30-3/4" x 30-5/8"
Scroll to Scroll	30-1/4" x 30-1/4"
Scroll Height	12-7/8"



TIMELESS ARCHITECTURAL REPRODUCTIONS, INC.™

Designers & Manufacturers of Classic Architectural Products

2655 Northgate Avenue
Cumming, GA 30041
(770) 205-1446 • (800) 665-4341 Office
(770) 205-1447 Fax
www.TimelessArchitectural.com

