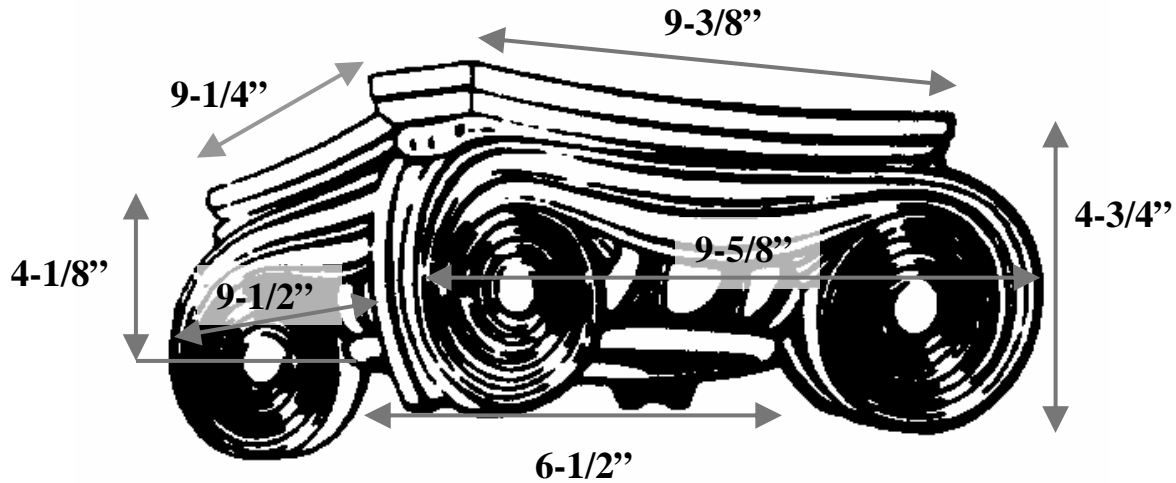


Decorative Capitals For Round Columns

Marble Fiberglass Reinforced Polymer Composite Product Manufactured By Timeless Architectural Reproductions, Inc.™

8" Greek Angular Ionic



Item #	GI08-79
Material	Resin and marble composite
Load Bearing	Yes
Product Weight	7 lbs
Shipping Weight	10 lbs
Base	6-1/2"
Inside Ring	2-1/4" (ring not shown)
Outside Ring	3-3/4"
Capital Height	4-1/8"
Abacus	9-3/8" x 9-1/4"
Scroll to Scroll	9-5/8" x 9-1/2"
Scroll Height	4-3/4"



TIMELESS ARCHITECTURAL REPRODUCTIONS, INC.™

Designers & Manufacturers of Classic Architectural Products

2655 Northgate Avenue
Cumming, GA 30041
(770) 205-1446 • (800) 665-4341 Office
(770) 205-1447 Fax
www.TimelessArchitectural.com

