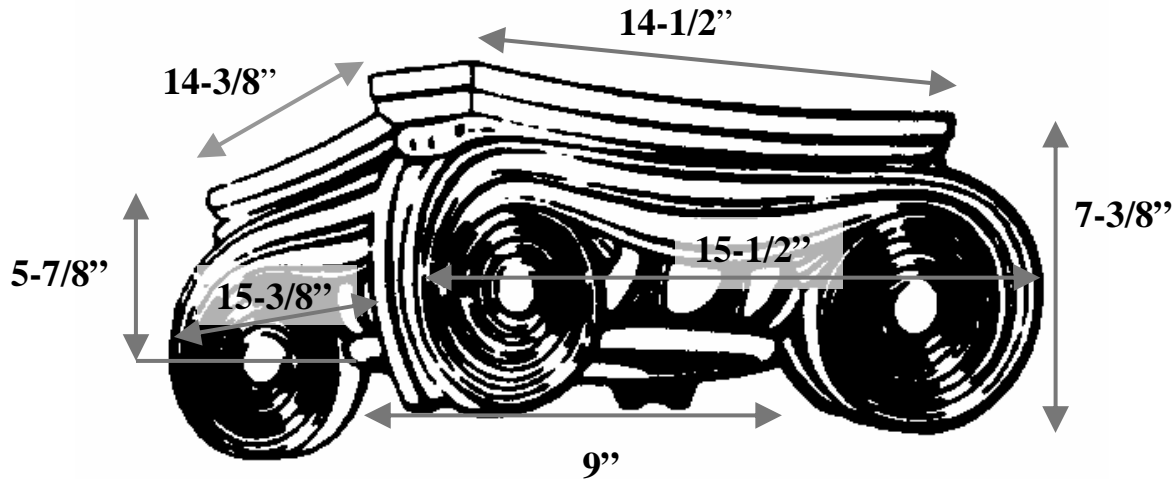


# Decorative Capitals For Round Columns

Marble Fiberglass Reinforced Polymer Composite Product Manufactured By Timeless Architectural Reproductions, Inc.™

## 10" Greek Angular Ionic



Item #	GI10-80
Material	Resin and marble composite
Load Bearing	Yes
Product Weight	29 lbs
Shipping Weight	36 lbs
Base	9"
Inside Ring	4-3/8" (ring not shown)
Outside Ring	6-1/2"
Capital Height	5-7/8"
Abacus	14-1/2" x 14-3/8"
Scroll to Scroll	15-1/2" x 15-3/8"
Scroll Height	7-3/8"



**TIMELESS ARCHITECTURAL REPRODUCTIONS, INC.™**

*Designers & Manufacturers of Classic Architectural Products*

2655 Northgate Avenue  
Cumming, GA 30041  
(770) 205-1446 • (800) 665-4341 Office  
(770) 205-1447 Fax  
[www.TimelessArchitectural.com](http://www.TimelessArchitectural.com)

