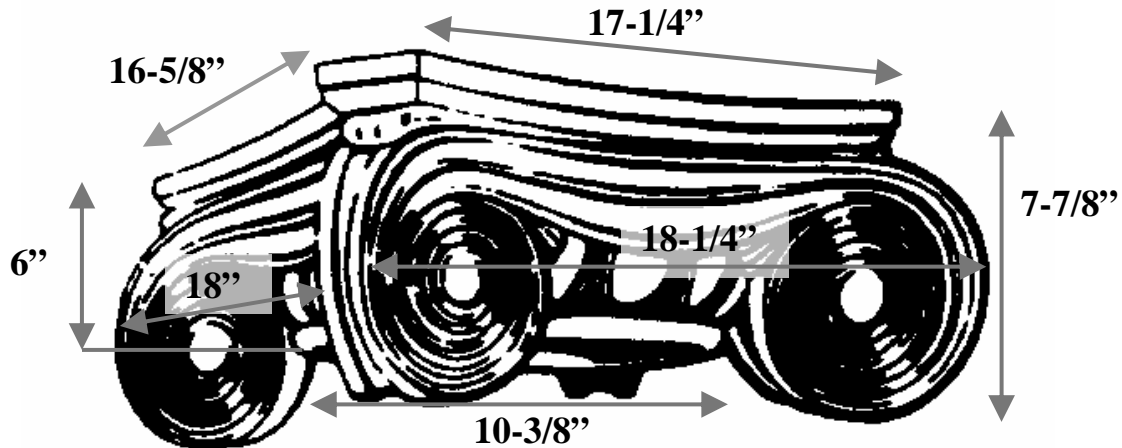


# Decorative Capitals For Round Columns

Marble Fiberglass Reinforced Polymer Composite Product Manufactured By Timeless Architectural Reproductions, Inc.™

## 12" Greek Angular Ionic



Item #	GI12-85
Material	Resin and marble composite
Load Bearing	Yes
Product Weight	43 lbs
Shipping Weight	52 lbs
Base	10-3/8"
Inside Ring	5-1/4" (ring not shown)
Outside Ring	7"
Capital Height	6"
Abacus	17-1/4" x 16-5/8"
Scroll to Scroll	18-1/4" x 18"
Scroll Height	7-7/8"



**TIMELESS ARCHITECTURAL REPRODUCTIONS, INC.™**

*Designers & Manufacturers of Classic Architectural Products*

2655 Northgate Avenue  
Cumming, GA 30041  
(770) 205-1446 • (800) 665-4341 Office  
(770) 205-1447 Fax  
[www.TimelessArchitectural.com](http://www.TimelessArchitectural.com)

