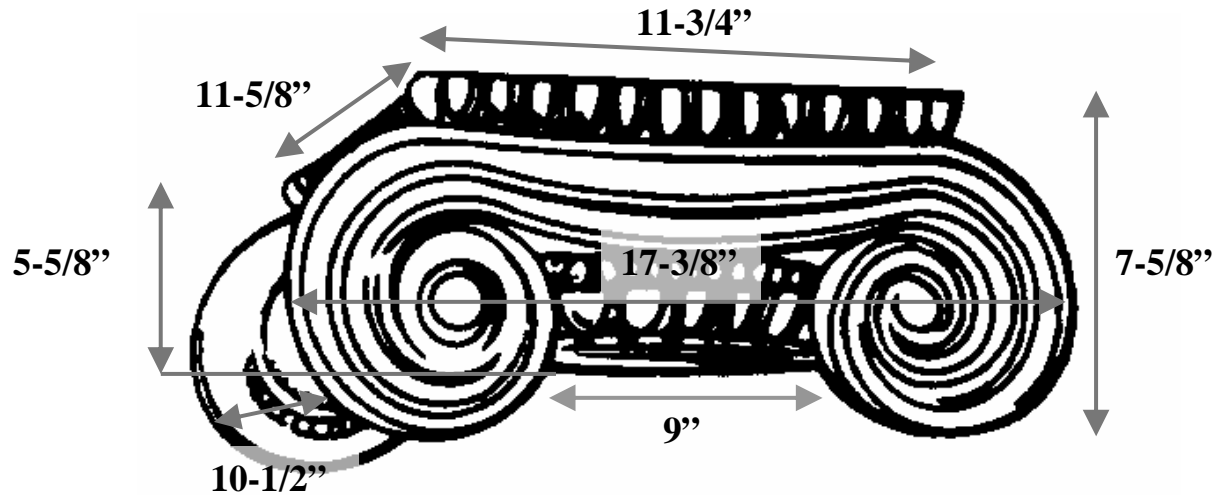


# Decorative Capitals For Round Columns

Marble Fiberglass Reinforced Polymer Composite Product Manufactured By Timeless Architectural Reproductions, Inc.™

## 10" Greek Erectheum



Item #	GE10-89
Material	Resin and marble composite
Load Bearing	Yes
Product Weight	26 lbs
Shipping Weight	30 lbs
Base	9"
Inside Ring	5" (ring not shown)
Outside Ring	6-1/2"
Capital Height	5-5/8"
Abacus	11-3/4" x 11-5/8"
Scroll to Scroll	17-3/8" x 10-1/2"
Scroll Height	7-5/8"



TIMELESS ARCHITECTURAL REPRODUCTIONS, INC.™

*Designers & Manufacturers of Classic Architectural Products*

2655 Northgate Avenue  
Cumming, GA 30041  
(770) 205-1446 • (800) 665-4341 Office  
(770) 205-1447 Fax  
[www.TimelessArchitectural.com](http://www.TimelessArchitectural.com)

