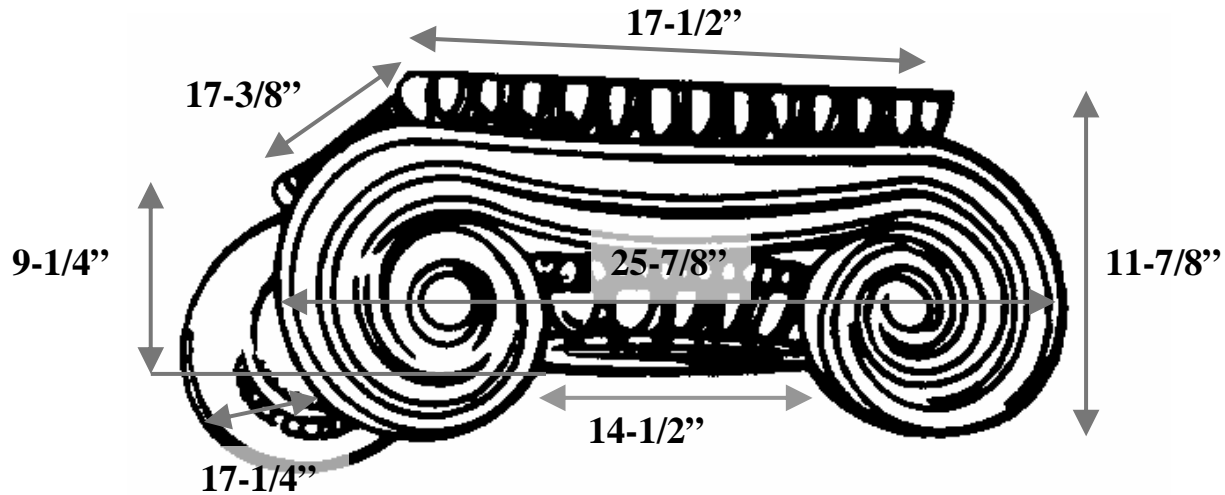


# Decorative Capitals For Round Columns

Marble Fiberglass Reinforced Polymer Composite Product Manufactured By Timeless Architectural Reproductions, Inc.™

## 16" Greek Erectheum



Item #	GE16-95
Material	Resin and marble composite
Load Bearing	Yes
Product Weight	93 lbs
Shipping Weight	105 lbs
Base	14-1/2"
Inside Ring	7-1/8" (ring not shown)
Outside Ring	8-1/2"
Capital Height	9-1/4"
Abacus	17-1/2" x 17-3/8"
Scroll to Scroll	25-7/8" x 17-1/4"
Scroll Height	11-7/8"



TIMELESS ARCHITECTURAL REPRODUCTIONS, INC.™

*Designers & Manufacturers of Classic Architectural Products*

2655 Northgate Avenue  
Cumming, GA 30041  
(770) 205-1446 • (800) 665-4341 Office  
(770) 205-1447 Fax  
[www.TimelessArchitectural.com](http://www.TimelessArchitectural.com)

