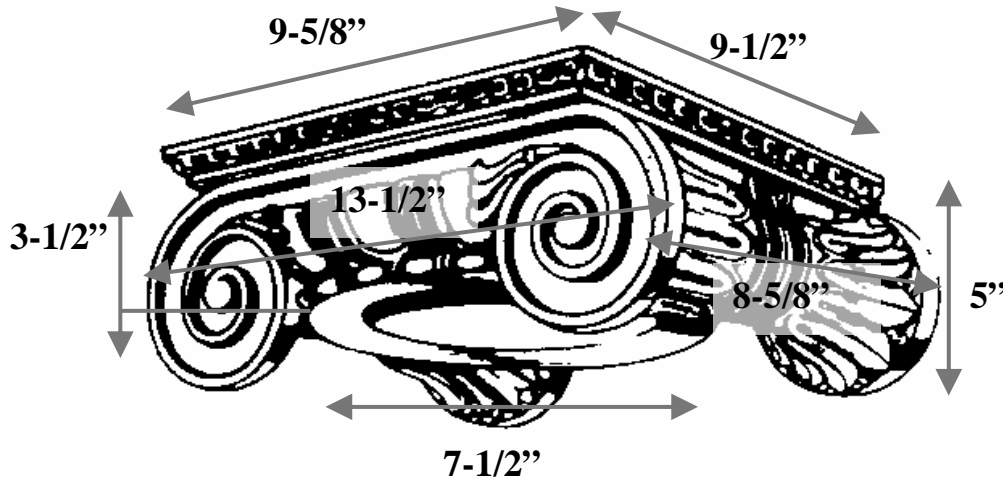


# Decorative Capitals For Round Columns

Marble Fiberglass Reinforced Polymer Composite Product Manufactured By Timeless Architectural Reproductions, Inc.™

## 8" Roman Ionic



Item #	I08-12
Material	Resin and marble composite
Load Bearing	Yes
Product Weight	14 lbs
Shipping Weight	17 lbs
Base	7-1/2"
Inside Ring	3-3/4" (ring not shown)
Outside Ring	5-1/4"
Capital Height	3-1/2"
Abacus	9-5/8" x 9-1/2"
Scroll to Scroll	13-1/2" x 8-5/8"
Scroll Height	5"



**TIMELESS ARCHITECTURAL REPRODUCTIONS, INC.™**

*Designers & Manufacturers of Classic Architectural Products*

2655 Northgate Avenue  
Cumming, GA 30041  
(770) 205-1446 • (800) 665-4341 Office  
(770) 205-1447 Fax  
[www.TimelessArchitectural.com](http://www.TimelessArchitectural.com)

