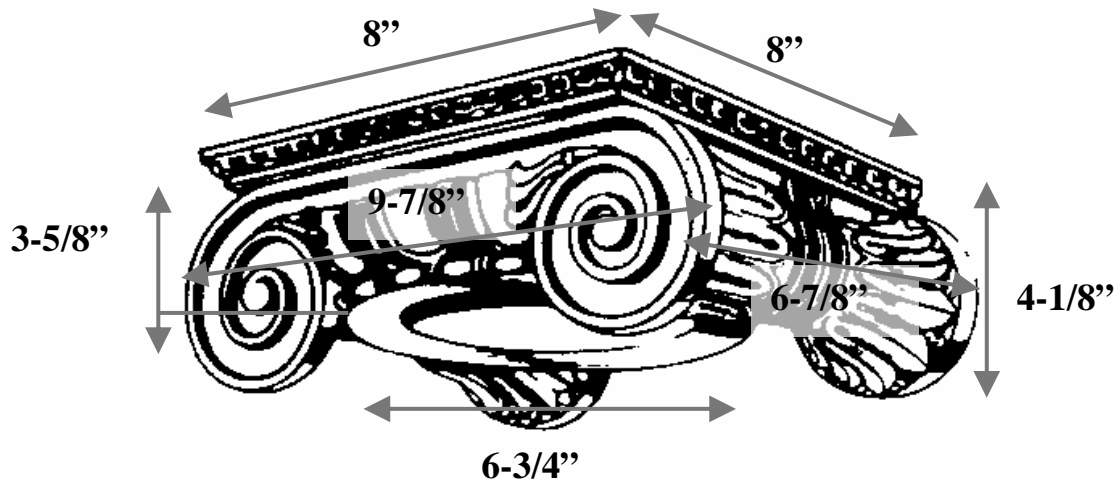


# Decorative Capitals For Round Columns

Marble Fiberglass Reinforced Polymer Composite Product Manufactured By Timeless Architectural Reproductions, Inc.™

## 8" Roman Ionic



Item #	I08-53
Material	Resin and marble composite
Load Bearing	Yes
Product Weight	10 lbs
Shipping Weight	13 lbs
Base	6-3/4"
Inside Ring	3-1/4" (ring not shown)
Outside Ring	4-5/8"
Capital Height	3-5/8"
Abacus	8" x 8"
Scroll to Scroll	9-7/8" x 6-7/8"
Scroll Height	4-1/8"



**TIMELESS ARCHITECTURAL REPRODUCTIONS, INC.™**

*Designers & Manufacturers of Classic Architectural Products*

2655 Northgate Avenue  
Cumming, GA 30041  
(770) 205-1446 • (800) 665-4341 Office  
(770) 205-1447 Fax  
[www.TimelessArchitectural.com](http://www.TimelessArchitectural.com)

