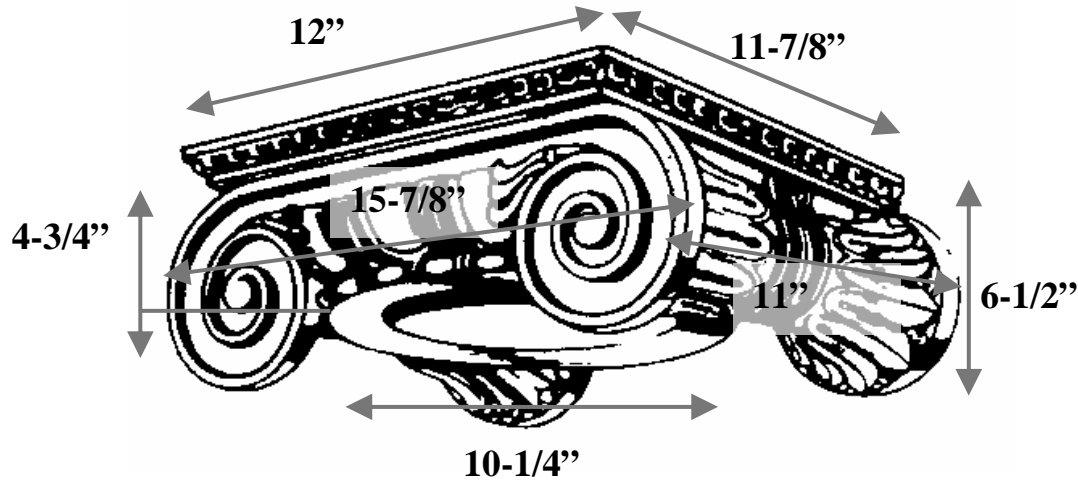


Decorative Capitals For Round Columns

Marble Fiberglass Reinforced Polymer Composite Product Manufactured By Timeless Architectural Reproductions, Inc.™

12" Roman Ionic



Item #	I12-30
Material	Resin and marble composite
Load Bearing	Yes
Product Weight	24 lbs
Shipping Weight	29 lbs
Base	10-1/4"
Inside Ring	6-3/8" (ring not shown)
Outside Ring	8-1/4"
Capital Height	4-3/4"
Abacus	12" x 11-7/8"
Scroll to Scroll	15-7/8" x 11"
Scroll Height	6-1/2"



TIMELESS ARCHITECTURAL REPRODUCTIONS, INC.™

Designers & Manufacturers of Classic Architectural Products

2655 Northgate Avenue
Cumming, GA 30041
(770) 205-1446 • (800) 665-4341 Office
(770) 205-1447 Fax
www.TimelessArchitectural.com

