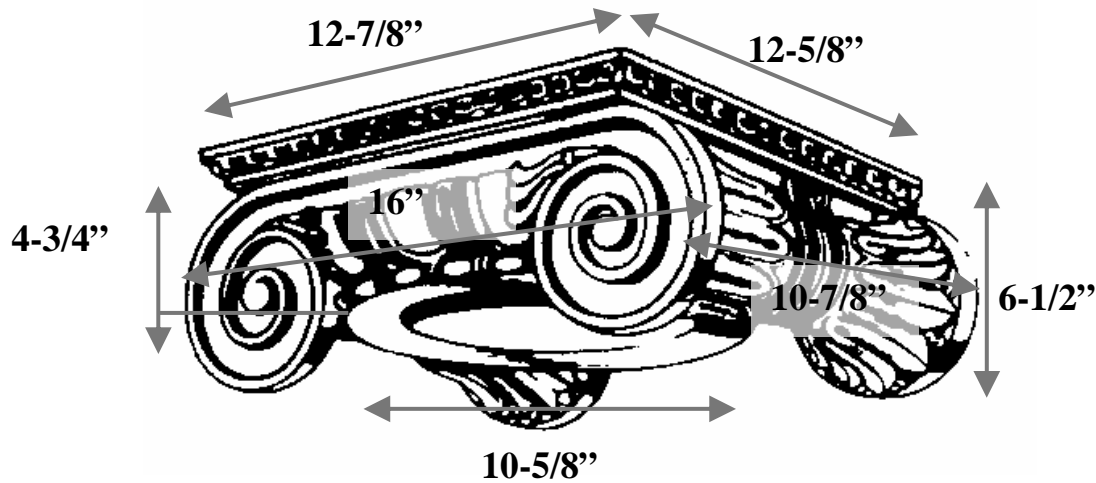


Decorative Capitals For Round Columns

Marble Fiberglass Reinforced Polymer Composite Product Manufactured By Timeless Architectural Reproductions, Inc.™

12" Roman Ionic



Item #	I12-40
Material	Resin and marble composite
Load Bearing	Yes
Product Weight	25 lbs
Shipping Weight	30 lbs
Base	10-5/8"
Inside Ring	5" (ring not shown)
Outside Ring	7-1/8"
Capital Height	4-3/4"
Abacus	12-7/8" x 12-5/8"
Scroll to Scroll	16" x 10-7/8"
Scroll Height	6-1/2"



TIMELESS ARCHITECTURAL REPRODUCTIONS, INC.™

Designers & Manufacturers of Classic Architectural Products

2655 Northgate Avenue
Cumming, GA 30041
(770) 205-1446 • (800) 665-4341 Office
(770) 205-1447 Fax
www.TimelessArchitectural.com

