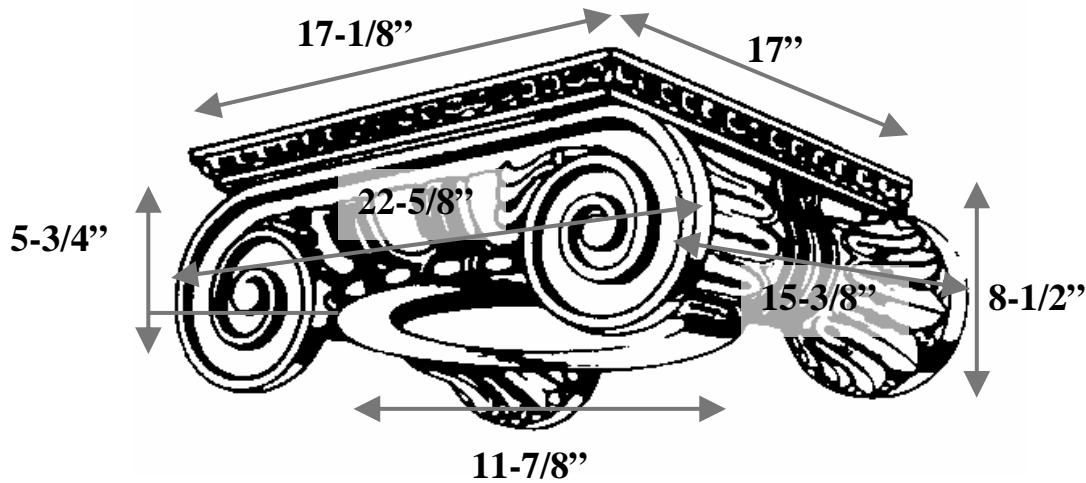


Decorative Capitals For Round Columns

Marble Fiberglass Reinforced Polymer Composite Product Manufactured By Timeless Architectural Reproductions, Inc.™

12" Roman Ionic



Item #	I12-60
Material	Resin and marble composite
Load Bearing	Yes
Product Weight	67 lbs
Shipping Weight	78 lbs
Base	11-7/8"
Inside Ring	6-3/4" (ring not shown)
Outside Ring	8-7/8"
Capital Height	5-3/4"
Abacus	17-1/8" x 17"
Scroll to Scroll	22-5/8" x 15-3/8"
Scroll Height	8-1/2"



TIMELESS ARCHITECTURAL REPRODUCTIONS, INC.™

Designers & Manufacturers of Classic Architectural Products

2655 Northgate Avenue
Cumming, GA 30041
(770) 205-1446 • (800) 665-4341 Office
(770) 205-1447 Fax
www.TimelessArchitectural.com

