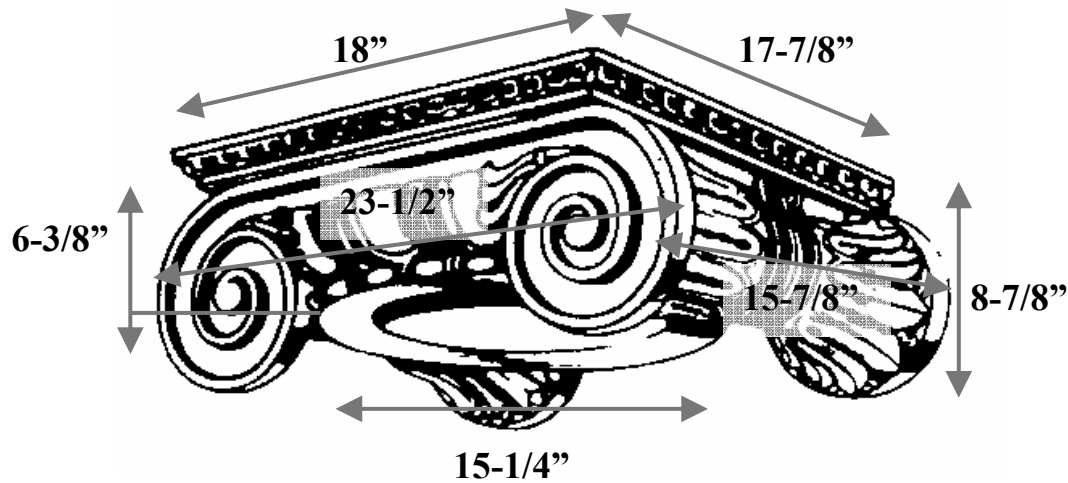


Decorative Capitals For Round Columns

Marble Fiberglass Reinforced Polymer Composite Product Manufactured By Timeless Architectural Reproductions, Inc.™

16" Roman Ionic



Item #	I16-19
Material	Resin and marble composite
Load Bearing	Yes
Product Weight	73 lbs
Shipping Weight	84 lbs
Base	18-1/2"
Inside Ring	9-1/4" (ring not shown)
Outside Ring	11-1/8"
Capital Height	6-3/8"
Abacus	18" x 17-7/8"
Scroll to Scroll	23-1/2" x 15-7/8"
Scroll Height	8-7/8"



TIMELESS ARCHITECTURAL REPRODUCTIONS, INC.™

Designers & Manufacturers of Classic Architectural Products

2655 Northgate Avenue
Cumming, GA 30041
(770) 205-1446 • (800) 665-4341 Office
(770) 205-1447 Fax
www.TimelessArchitectural.com

