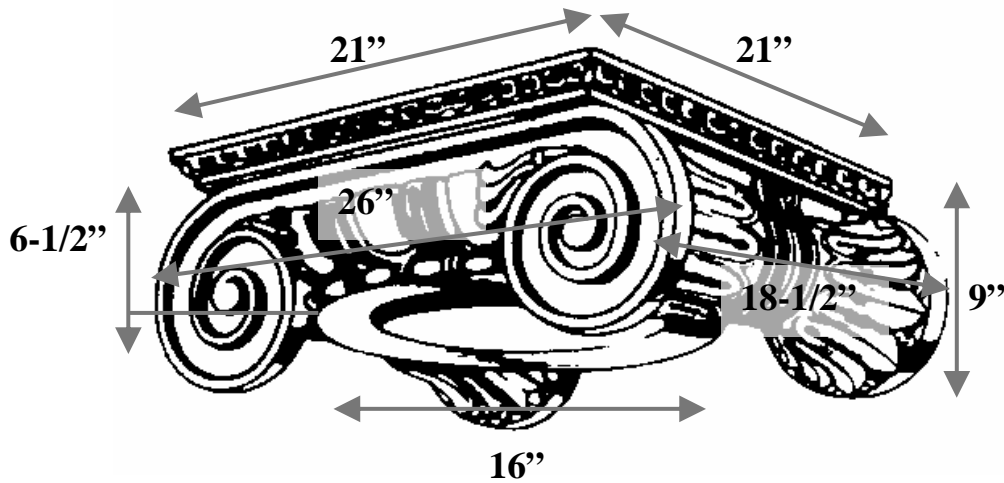


Decorative Capitals For Round Columns

Marble Fiberglass Reinforced Polymer Composite Product Manufactured By Timeless Architectural Reproductions, Inc.™

18" Roman Ionic



Item #	I18-43
Material	Resin and marble composite
Load Bearing	Yes
Product Weight	97 lbs
Shipping Weight	125 lbs
Base	16"
Inside Ring	9-1/4" (ring not shown)
Outside Ring	13"
Capital Height	6-1/2"
Abacus	21" x 21"
Scroll to Scroll	26" x 18-1/2"
Scroll Height	9"



TIMELESS ARCHITECTURAL REPRODUCTIONS, INC.™

Designers & Manufacturers of Classic Architectural Products

2655 Northgate Avenue
Cumming, GA 30041
(770) 205-1446 • (800) 665-4341 Office
(770) 205-1447 Fax
www.TimelessArchitectural.com

