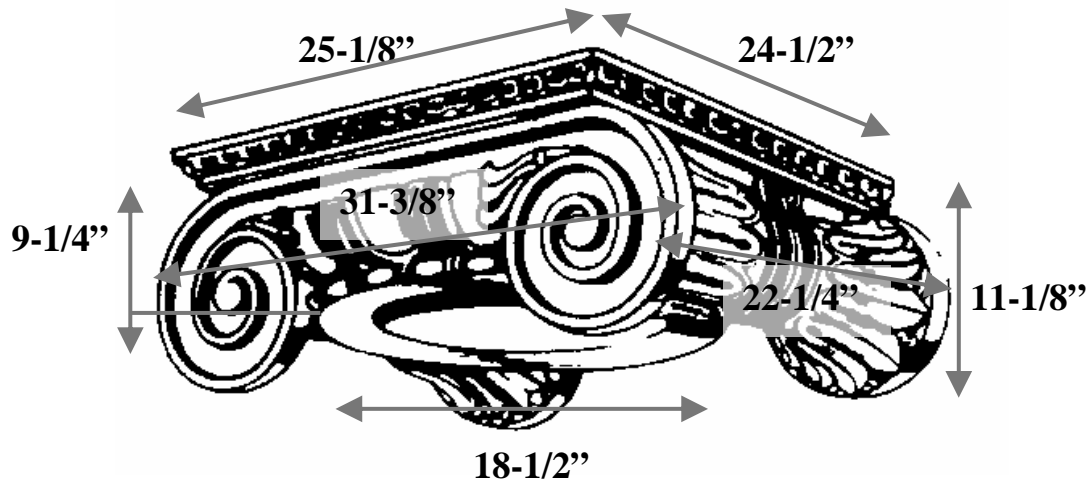


Decorative Capitals For Round Columns

Marble Fiberglass Reinforced Polymer Composite Product Manufactured By Timeless Architectural Reproductions, Inc.™

20" Roman Ionic



Item #	I20-92
Material	Resin and marble composite
Load Bearing	Yes
Product Weight	160 lbs
Shipping Weight	210 lbs
Base	18-1/2"
Inside Ring	12-1/2" (ring not shown)
Outside Ring	14-1/2"
Capital Height	9-1/4"
Abacus	25-1/8" x 24-1/2"
Scroll to Scroll	31-3/8" x 22-1/8"
Scroll Height	11-1/8"



TIMELESS ARCHITECTURAL REPRODUCTIONS, INC.™

Designers & Manufacturers of Classic Architectural Products

2655 Northgate Avenue
Cumming, GA 30041
(770) 205-1446 • (800) 665-4341 Office
(770) 205-1447 Fax
www.TimelessArchitectural.com

