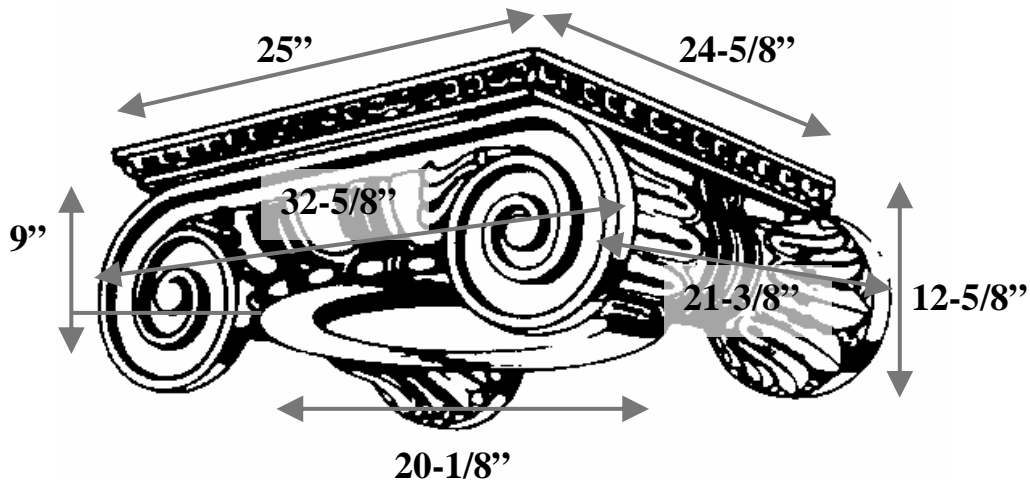


# Decorative Capitals For Round Columns

Marble Fiberglass Reinforced Polymer Composite Product Manufactured By Timeless Architectural Reproductions, Inc.™

## 22" Roman Ionic



|                  |                            |
|------------------|----------------------------|
| Item #           | I22-94                     |
| Material         | Resin and marble composite |
| Load Bearing     | Yes                        |
| Product Weight   | 200 lbs                    |
| Shipping Weight  | 250 lbs                    |
| Base             | 20-1/8"                    |
| Inside Ring      | 13-1/4" (ring not shown)   |
| Outside Ring     | 15-1/4"                    |
| Capital Height   | 9"                         |
| Abacus           | 25" x 24-5/8"              |
| Scroll to Scroll | 32-5/8" x 21-3/8"          |
| Scroll Height    | 12-5/8"                    |



**TIMELESS ARCHITECTURAL REPRODUCTIONS, INC.™**

*Designers & Manufacturers of Classic Architectural Products*

2655 Northgate Avenue  
Cumming, GA 30041  
(770) 205-1446 • (800) 665-4341 Office  
(770) 205-1447 Fax  
[www.TimelessArchitectural.com](http://www.TimelessArchitectural.com)

