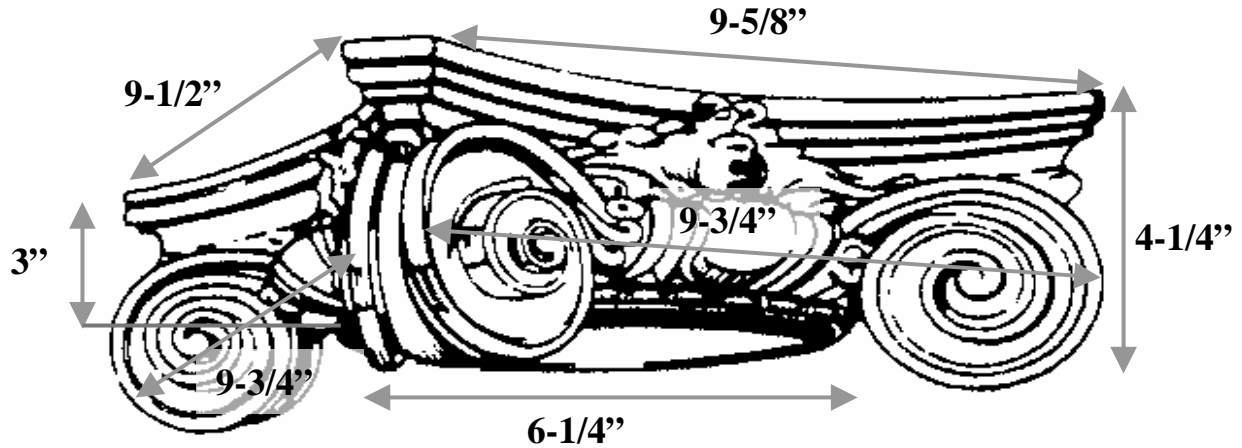


# Decorative Capitals For Round Columns

Marble Fiberglass Reinforced Polymer Composite Product Manufactured By Timeless Architectural Reproductions, Inc.™

## 8" Scamozzi



Item #	S08-25
Material	Resin and marble composite
Load Bearing	Yes
Product Weight	8 lbs
Shipping Weight	9 lbs
Base	6-1/4"
Inside Ring	3-1/2" (ring not shown)
Outside Ring	4-7/8"
Capital Height	3"
Abacus	9-5/8" x 9-1/2"
Scroll to Scroll	9-3/4" x 9-3/4"
Scroll Height	4-1/4"



TIMELESS ARCHITECTURAL REPRODUCTIONS, INC.™

*Designers & Manufacturers of Classic Architectural Products*

2655 Northgate Avenue  
Cumming, GA 30041  
(770) 205-1446 • (800) 665-4341 Office  
(770) 205-1447 Fax  
[www.TimelessArchitectural.com](http://www.TimelessArchitectural.com)

