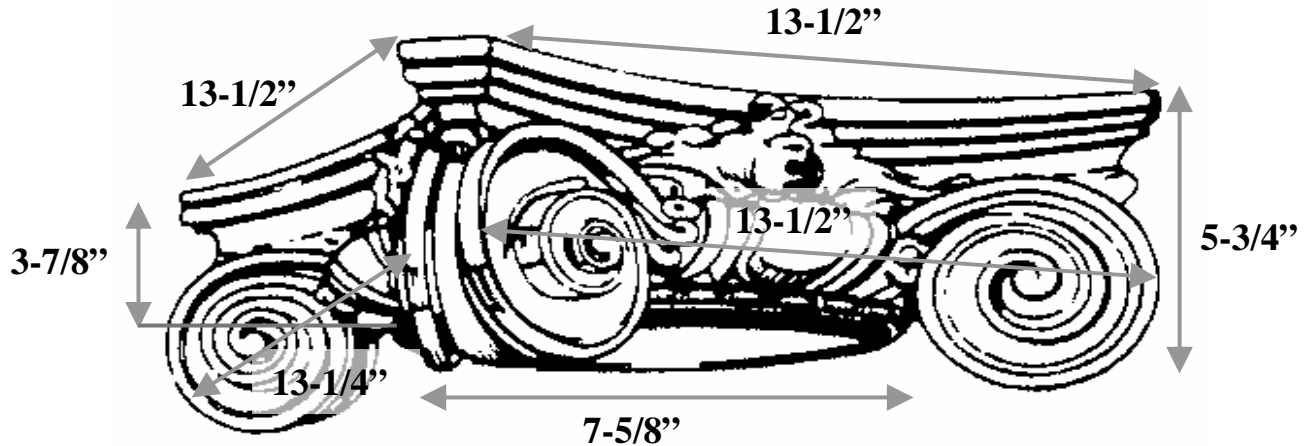


Decorative Capitals For Round Columns

Marble Fiberglass Reinforced Polymer Composite Product Manufactured By Timeless Architectural Reproductions, Inc.™

8" Scamozzi



| | |
|------------------|----------------------------|
| Item # | S08-34 |
| Material | Resin and marble composite |
| Load Bearing | Yes |
| Product Weight | 18 lbs |
| Shipping Weight | 24 lbs |
| Base | 7-5/8" |
| Inside Ring | 2-3/4" (ring not shown) |
| Outside Ring | 4-1/2" |
| Capital Height | 3-7/8" |
| Abacus | 13-1/2" x 13-1/2" |
| Scroll to Scroll | 13-1/2" x 13-1/4" |
| Scroll Height | 5-3/4" |



TIMELESS ARCHITECTURAL REPRODUCTIONS, INC.™

Designers & Manufacturers of Classic Architectural Products

2655 Northgate Avenue
Cumming, GA 30041
(770) 205-1446 • (800) 665-4341 Office
(770) 205-1447 Fax
www.TimelessArchitectural.com

