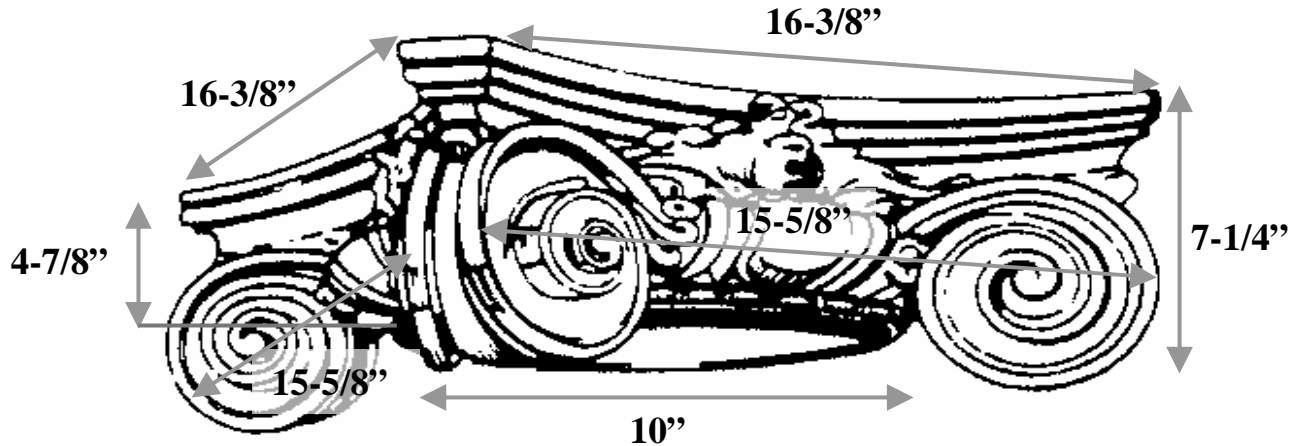


# Decorative Capitals For Round Columns

Marble Fiberglass Reinforced Polymer Composite Product Manufactured By Timeless Architectural Reproductions, Inc.™

## 12" Scamozzi



Item #	S12-23
Material	Resin and marble composite
Load Bearing	Yes
Product Weight	29 lbs
Shipping Weight	37 lbs
Base	10"
Inside Ring	6-1/2" (ring not shown)
Outside Ring	8-1/4"
Capital Height	4-7/8"
Abacus	16-3/8" x 16-3/8"
Scroll to Scroll	15-5/8" x 15-5/8"
Scroll Height	7-1/4"



TIMELESS ARCHITECTURAL REPRODUCTIONS, INC.™

*Designers & Manufacturers of Classic Architectural Products*

2655 Northgate Avenue  
Cumming, GA 30041  
(770) 205-1446 • (800) 665-4341 Office  
(770) 205-1447 Fax  
[www.TimelessArchitectural.com](http://www.TimelessArchitectural.com)

