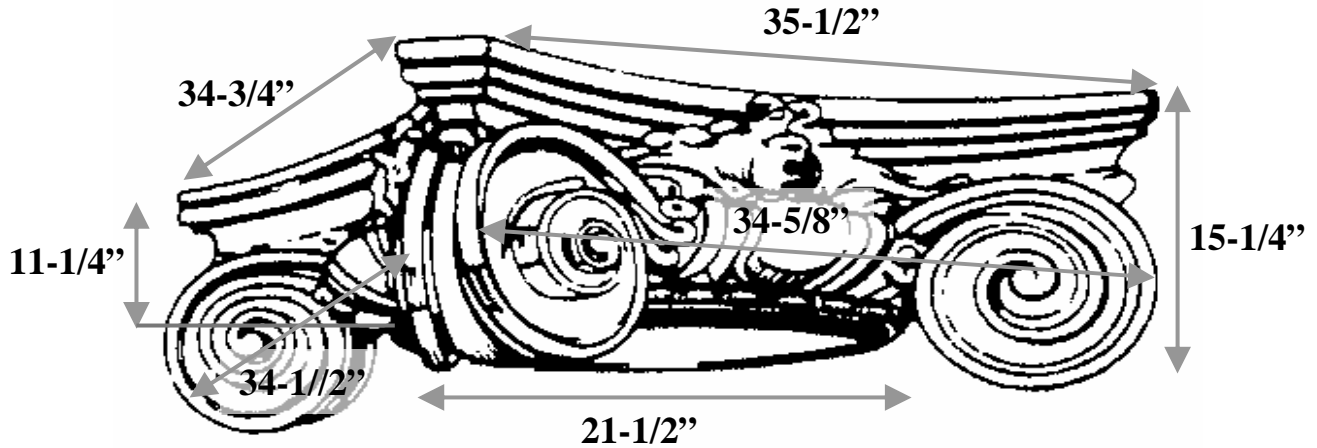


# Decorative Capitals For Round Columns

Marble Fiberglass Reinforced Polymer Composite Product Manufactured By Timeless Architectural Reproductions, Inc.™

## 22"-24" Scamozzi



Item #	S22-46
Material	Resin and marble composite
Load Bearing	Yes
Product Weight	250 lbs
Shipping Weight	311 lbs
Base	21-1/2"
Inside Base	17-5/8"
Outside Ring	20-7/8"
Capital Height	11-1/4"
Abacus	35-1/2" x 34-3/4"
Scroll to Scroll	34-5/8" x 34-1/2"
Scroll Height	15-1/4"



TIMELESS ARCHITECTURAL REPRODUCTIONS, INC.™

*Designers & Manufacturers of Classic Architectural Products*

2655 Northgate Avenue  
Cumming, GA 30041  
(770) 205-1446 • (800) 665-4341 Office  
(770) 205-1447 Fax  
[www.TimelessArchitectural.com](http://www.TimelessArchitectural.com)

