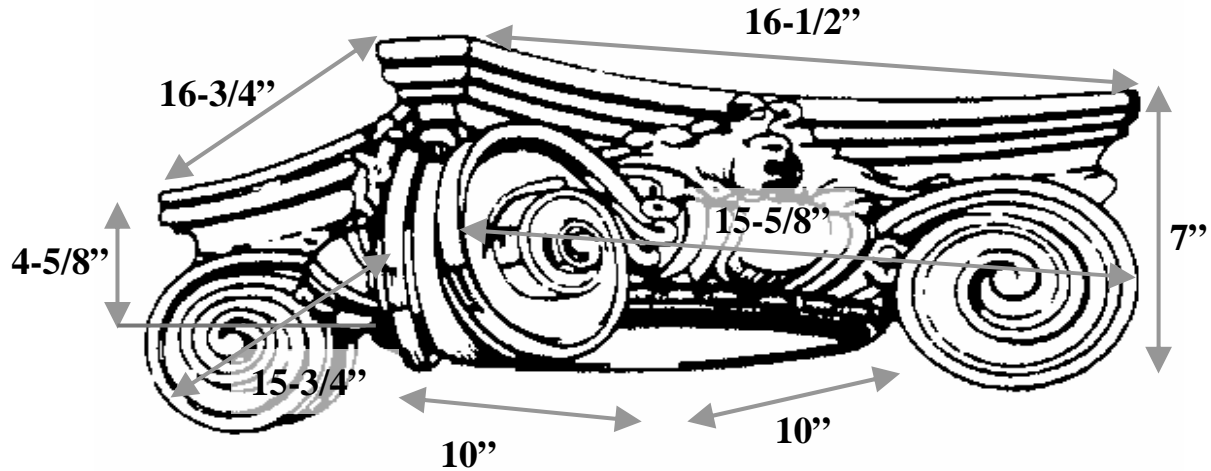


Decorative Capitals For Square Columns

Marble Fiberglass Reinforced Polymer Composite Product Manufactured By Timeless Architectural Reproductions, Inc.™

10" Square Scamozzi



Item #	SS10-107
Material	Resin and marble composite
Load Bearing	Yes
Product Weight	34 lbs
Shipping Weight	39 lbs
Base	10" x 10"
Inside Ring	4" (ring not shown)
Outside Ring	5-3/4"
Capital Height	4-5/8"
Abacus	16-3/4" x 16-1/2"
Scroll to Scroll	15-3/4" x 15-5/8"
Scroll Height	7"



TIMELESS ARCHITECTURAL REPRODUCTIONS, INC.™

Designers & Manufacturers of Classic Architectural Products

2655 Northgate Avenue
Cumming, GA 30041
(770) 205-1446 • (800) 665-4341 Office
(770) 205-1447 Fax
www.TimelessArchitectural.com

