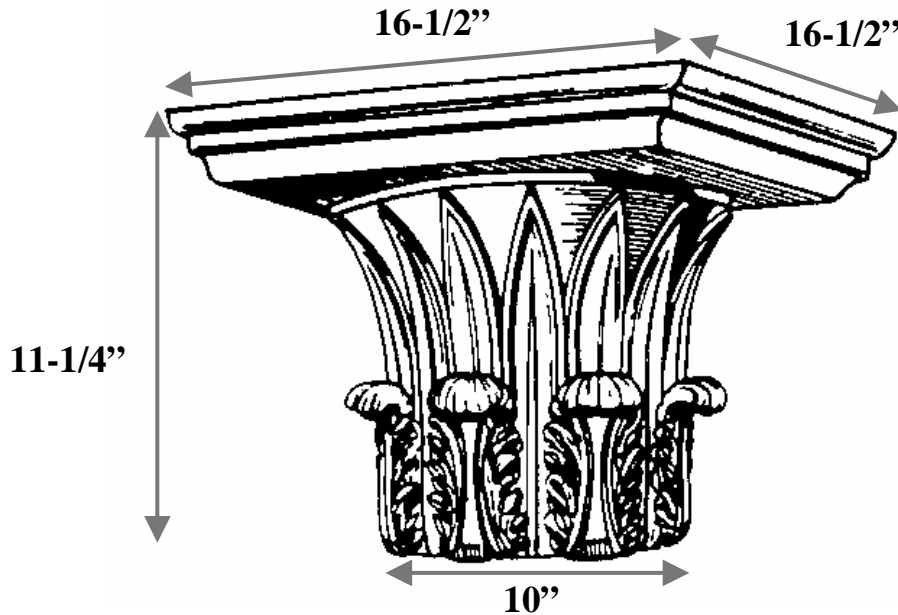


Decorative Capitals For Round Columns

Marble Fiberglass Reinforced Polymer Composite Product Manufactured By Timeless Architectural Reproductions, Inc.™

12" Temple of Wind



Item #	T12-47
Material	Resin and marble composite
Load Bearing	Yes
Capital Weight	36 lbs
Shipping Weight	43 lbs
Base	10"
Inside Ring	5" (ring not shown)
Outside Ring	7-1/8"
Height	11-1/4"
Abacus	16-1/2" x 16-1/2"



TIMELESS ARCHITECTURAL REPRODUCTIONS, INC.™

Designers & Manufacturers of Classic Architectural Products

2655 Northgate Avenue
Cumming, GA 30041
(770) 205-1446 • (800) 665-4341 Office
(770) 205-1447 Fax
www.TimelessArchitectural.com

