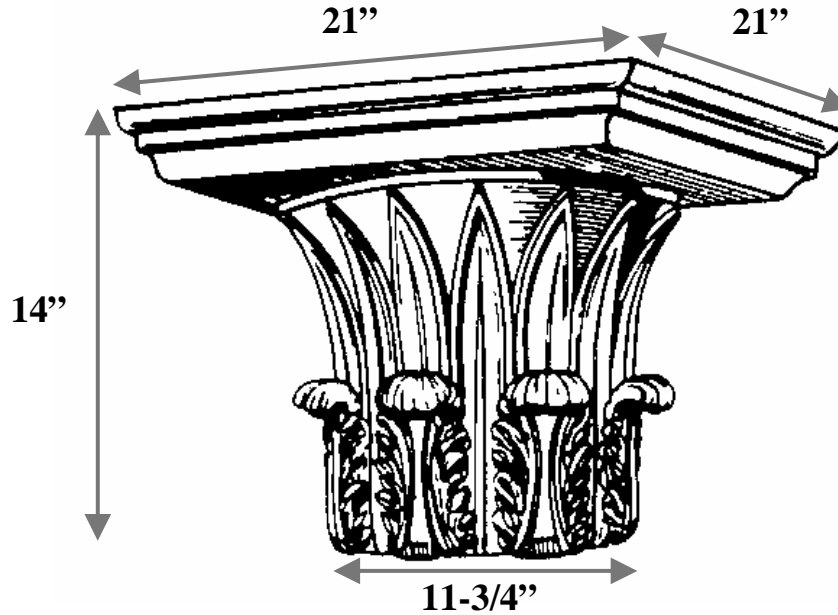


Decorative Capitals For Round Columns

Marble Fiberglass Reinforced Polymer Composite Product Manufactured By Timeless Architectural Reproductions, Inc.™

14" Temple of Wind



Item #	T14-48
Material	Resin and marble composite
Load Bearing	Yes
Capital Weight	69 lbs
Shipping Weight	85 lbs
Base	11-3/4"
Inside Ring	6-1/4" (ring not shown)
Outside Ring	8-1/4"
Height	14"
Abacus	21" x 21"



TIMELESS ARCHITECTURAL REPRODUCTIONS, INC.™

Designers & Manufacturers of Classic Architectural Products

2655 Northgate Avenue
Cumming, GA 30041
(770) 205-1446 • (800) 665-4341 Office
(770) 205-1447 Fax
www.TimelessArchitectural.com

