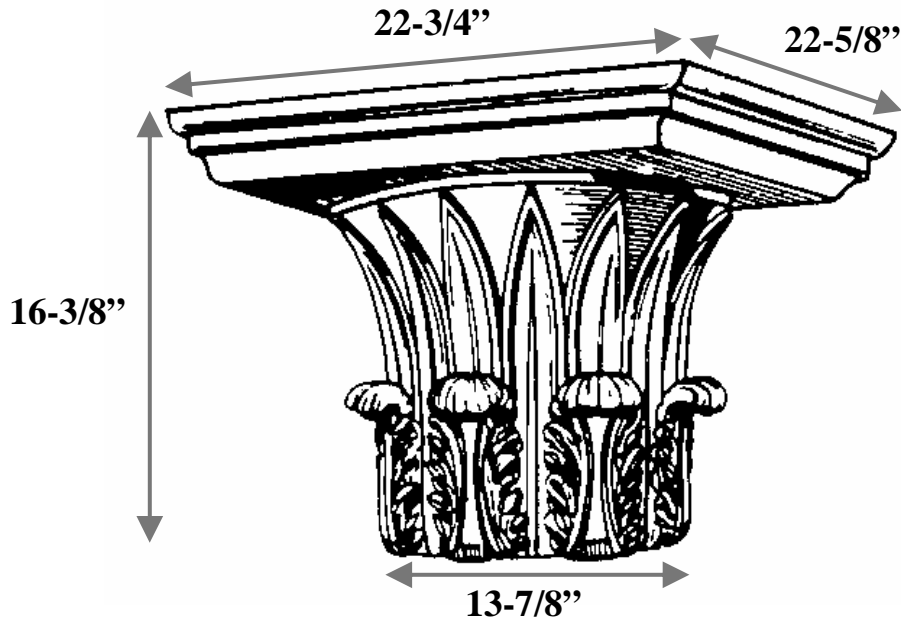


Decorative Capitals For Round Columns

Marble Fiberglass Reinforced Polymer Composite Product Manufactured By Timeless Architectural Reproductions, Inc.™

16" Temple of Wind



Item #	T16-44
Material	Resin and marble composite
Load Bearing	Yes
Capital Weight	95 lbs
Shipping Weight	124 lbs
Base	13-7/8"
Inside Ring	7-5/8" (ring not shown)
Outside Ring	9-3/8"
Height	16-3/8"
Abacus	22-3/4" x 22-5/8"



TIMELESS ARCHITECTURAL REPRODUCTIONS, INC.™

Designers & Manufacturers of Classic Architectural Products

2655 Northgate Avenue
Cumming, GA 30041
(770) 205-1446 • (800) 665-4341 Office
(770) 205-1447 Fax
www.TimelessArchitectural.com

