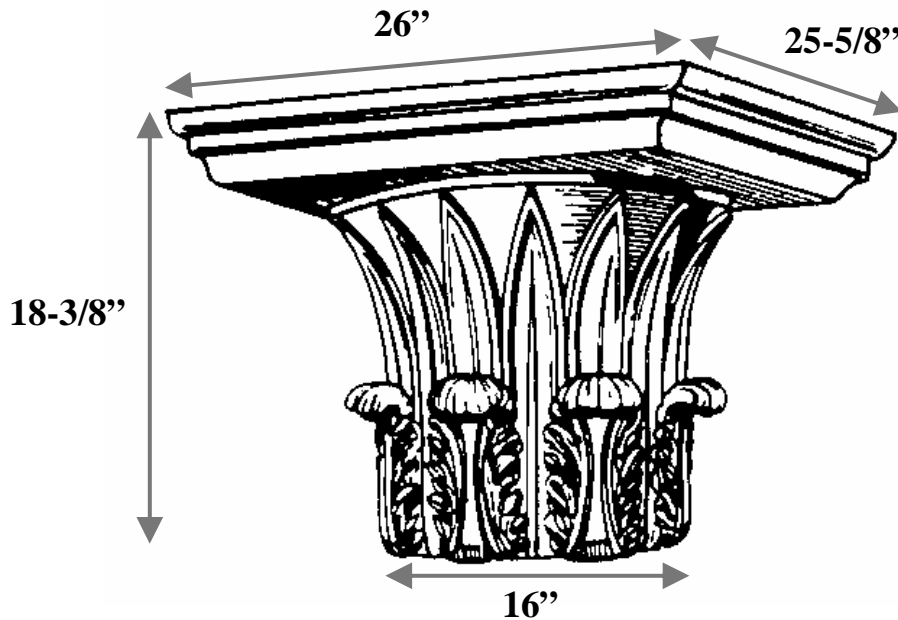


Decorative Capitals For Round Columns

Marble Fiberglass Reinforced Polymer Composite Product Manufactured By Timeless Architectural Reproductions, Inc.™

18" Temple of Wind



Item #	T18-42
Material	Resin and marble composite
Load Bearing	Yes
Capital Weight	130 lbs
Shipping Weight	150 lbs
Base	16"
Inside Ring	10-3/8" (ring not shown)
Outside Ring	12"
Height	18-3/8"
Abacus	26" x 25-5/8"



TIMELESS ARCHITECTURAL REPRODUCTIONS, INC.™

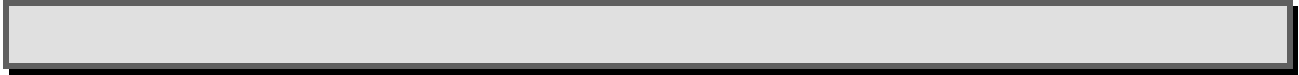
Designers & Manufacturers of Classic Architectural Products

2655 Northgate Avenue
Cumming, GA 30041
(770) 205-1446 • (800) 665-4341 Office
(770) 205-1447 Fax
www.TimelessArchitectural.com



Decorative Capitals For Round Columns

Marble Fiberglass Reinforced Polymer Composite Product Manufactured By Timeless Architectural Reproductions, Inc.™



TIMELESS ARCHITECTURAL REPRODUCTIONS, INC.™

Designers & Manufacturers of Classic Architectural Products

2655 Northgate Avenue
Cumming, GA 30041
(770) 205-1446 • (800) 665-4341 Office
(770) 205-1447 Fax
www.TimelessArchitectural.com

