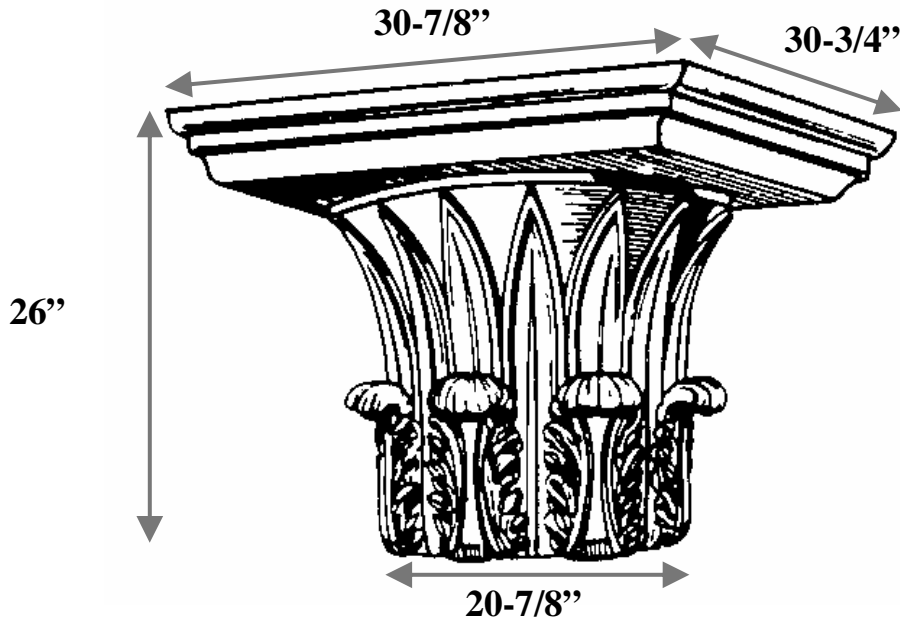


Decorative Capitals For Round Columns

Marble Fiberglass Reinforced Polymer Composite Product Manufactured By Timeless Architectural Reproductions, Inc.™

22"-24" Temple of Wind



Item #	T22-71
Material	Resin and marble composite
Load Bearing	Yes, when used with plug (provided)
Capital Weight	130 lbs (add 57 lbs for plug weight)
Shipping Weight	250 lbs (includes 57 lbs for plug and 63 lbs for pallet)
Base	20-7/8"
Inside Base	18-5/8"
Height	26" (add 1/2" for plug)
Abacus	30-7/8" x 30-3/4"



TIMELESS ARCHITECTURAL REPRODUCTIONS, INC.™

Designers & Manufacturers of Classic Architectural Products

2655 Northgate Avenue
Cumming, GA 30041
(770) 205-1446 • (800) 665-4341 Office
(770) 205-1447 Fax
www.TimelessArchitectural.com

