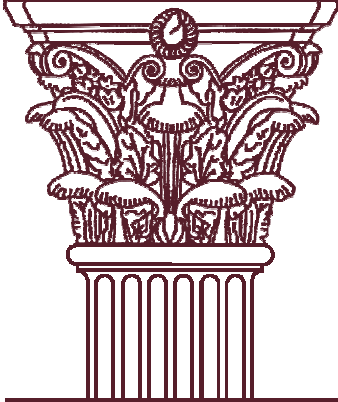


A Timeless  
Product  
Specification  
Publication

# Timeless

## The Cambridge Collection



### The Cambridge Collection

#### Installations

- Porches
- Decks
- Balconies
- Porticos
- Rooftops

#### Applications

- Straight
- Radius
- Stairs

*Balustrade Systems can be installed to*

- Brick
- Stone
- Concrete
- Wood
- Composite Decking
- Columns
- Any Siding

## Residential Applications

PRODUCT SPECIFICATIONS	4" Sphere Code <sup>1</sup> Spacing	Common Spacing <sup>2</sup> [non-code]
Rail System Height <sup>3</sup>	37-1/4"	37-1/4"
Spacing	1-1/4"	3"
Spacing on Center	6-3/4"	8-1/2"
Balusters Needed per Linear Foot [LF]	1.778	1.37
Weight LF Baluster, Rail & Hardware	81 lbs.	71 lbs.
Weight Baluster	26 lbs.	26 lbs.
Weight Extended Baluster	33 lbs.	33 lbs.
Weight LFTall Profile Top Rail (RT301)	14.5 lbs.	14.5 lbs.
Weight LFTall Profile Bottom (RB305)	17.5 lbs.	17.5 lbs.
Weight LF Short Profile Top Rail (RT501)	9.5 lbs.	9.5 lbs.
Weight LF Short Profile Bottom Rail (RB505)	13 lbs.	13 lbs.

*Customers are responsible for local code adherence.*

<sup>1</sup> 4" Sphere Code spacing requires that a 4" ball cannot fit through any spacing between balusters.

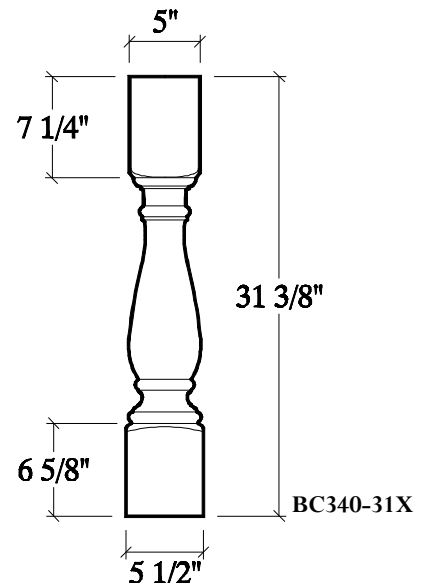
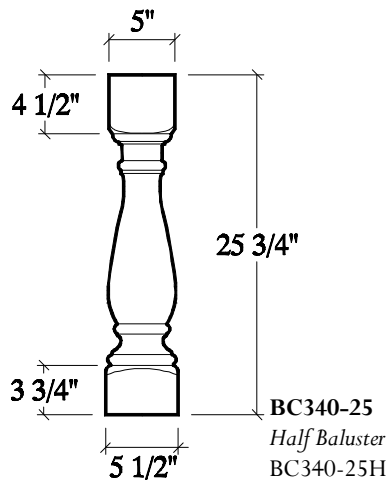
<sup>2</sup> Common [non-code] spacing can be used in non-access applications or when spacing codes are not required.

<sup>3</sup> Building codes for residential installations of balusters are typically specified at 36" in height.

### BALUSTERS

Straight Applications

Straight or Stair Applications



# The Cambridge Residential Collection

## CODE & HEIGHT CONSIDERATIONS

In some locales the Residential Building Code may require a balustrade height of greater than 36". In these instances the Extended or Cambridge Commercial height balusters and Newel Posts may be necessary. Refer to the Cambridge Commercial Technical Specifications for product dimensions.

It is the customer's responsibility to determine and meet all applicable building codes.

## SHORT PROFILE RAIL OPTION

Commercial Height or Extended Balusters with the Short Profile Top Rail (RT-501) and the Short Profile Bottom Rail (RB-505) will meet most residential height requirements. See "Cambridge Commercial Technical Specifications" for commercial baluster product dimensions.

*\* Short Profile Railings will NOT meet Residential Code height of 36" unless used with Cambridge Commercial or Extended Balusters.*

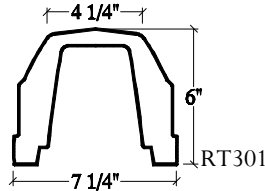
## STYLE OPTIONS

**For European Style Balustrades:** Commercial Height or Extended Balusters with the tall profile Top Rail (RT-301) and no Bottom Rail will meet most residential codes.

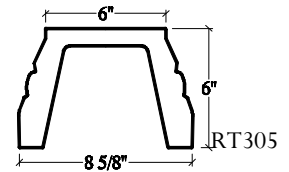


## RAILINGS

### Tall Profile Railing

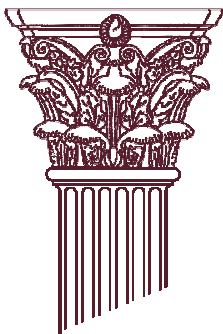
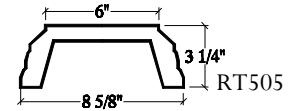
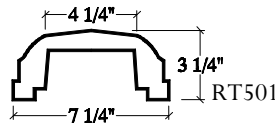


Top Rails



Bottom Rails

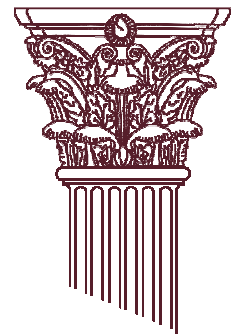
### Short Profile Railing



## Timeless Architectural Reproductions, Inc.®

*Designers & Manufacturers of Classic Architectural Products*  
2655 Northgate Avenue ♦ Cumming, Georgia 30041

Toll Free 800.665.4341 Phone 770.205.1446  
Fax 770.205.1447



For more information about Timeless products, visit our web site

[www.TimelessArchitectural.com](http://www.TimelessArchitectural.com)