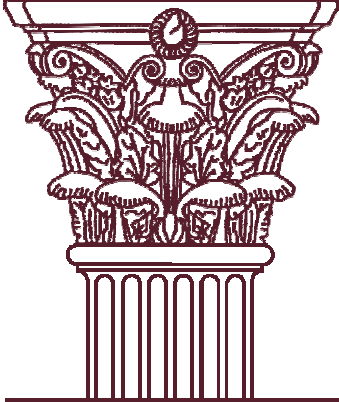


A Timeless
Product
Specification
Publication

Timeless

The Huntington Collection



The Huntington Collection

Installations

Porches
Decks
Balconies
Porticos
Rooftops

Applications

Straight
Radius
Stairs

*Balustrade Systems
can be installed to*

Brick
Stone
Concrete
Wood
Composite Decking
Columns
Any Siding

Residential Applications

PRODUCT SPECIFICATIONS	4" Sphere Code ¹ Spacing	Common Spacing ² [non-code]
Rail System Height ³	37-3/4"	37-3/4"
Spacing	1/4"	3"
Spacing On Center	8"	10-3/4"
Balusters Needed per Linear Foot [LF]	1.5	1.09
Weight LF Baluster, Rail & Hardware	109 lbs.	88.09 lbs.
Weight Baluster	51 lbs.	51 lbs.
Weight Extended Baluster	55.5 lbs.	55.5 lbs.
Weight LFTop Rail (RT401)	10.3 lbs.	10.3 lbs.
Weight LF Bottom Rail (RB405)	17.5 lbs.	17.5 lbs.

Customers are responsible for local code adherence.

¹ 4" Sphere Code spacing requires that a 4" ball cannot fit through any spacing between balusters.

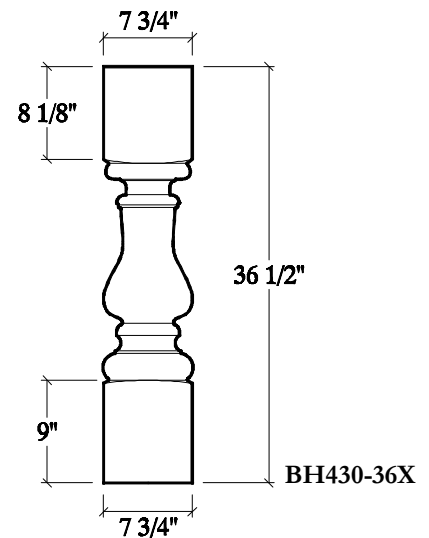
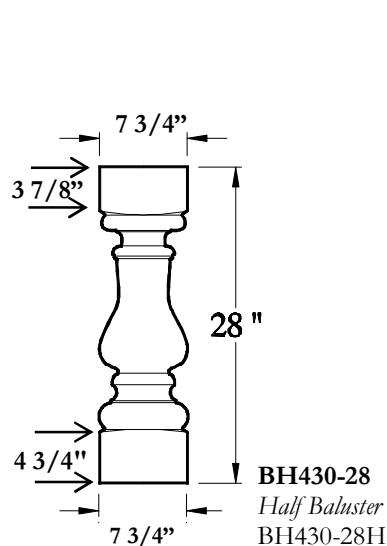
² Common [non-code] spacing can be used in non-access applications or when spacing codes are not required.

³ Building codes for residential applications of balusters are typically specified at 36" in height.

BALUSTERS

Straight Applications

Straight or Stair Applications



⌘ The Huntington Residential Collection ⌘

CODE & HEIGHT CONSIDERATIONS

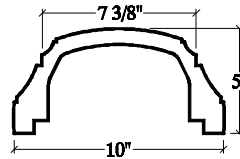
In some locales the Residential Building Code may require a balustrade height of greater than 36". In these instances the Extended Balusters and Newel Posts may be necessary.

When meeting 4" sphere code spacing a 1/4" space between the Huntington balusters is necessary, therefore 4" sphere code is not possible to achieve on all runs. When 4" sphere code is essential, please consider Timeless Cambridge, Jefferson or Montreaux balustrade collections.

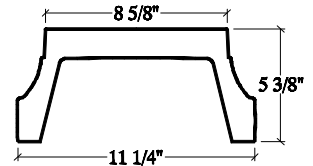
It is the customer's responsibility to determine and meet all applicable building codes.

RAILINGS

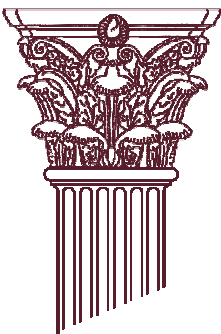
Huntington Railing



Top Rail
RT401



Bottom Rail
RT405



Timeless Architectural Reproductions, Inc.®

Designers & Manufacturers of Classic Architectural Products
2655 Northgate Avenue ♦ Cumming, Georgia 30041

Toll Free 800.665.4341 Phone 770.205.1446
Fax 770.205.1447

For more information about Timeless products, visit our web site

www.TimelessArchitectural.com

