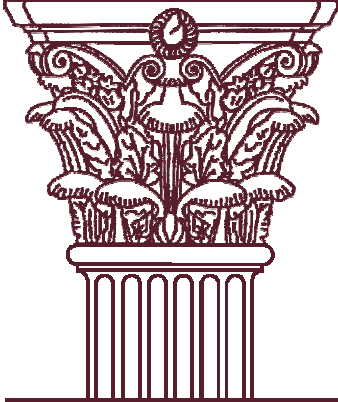


A Timeless  
Product  
Specification  
Publication

# Timeless

## The Lexington Collection



### The Lexington Collection

#### Installations

Porches  
Decks  
Balconies  
Porte-Cochers  
Rooftops

#### Applications

Straight  
Radius  
Stairs

*Balustrade Systems  
can be installed to*

Brick  
Stone  
Concrete  
Wood  
Composite Decking  
Columns  
Any Siding

## Residential Applications

PRODUCT SPECIFICATIONS	4" Sphere Code <sup>1</sup> Spacing	Common Spacing <sup>2</sup> [non-code]
Rail System Height <sup>3</sup>	36-3/4"	36-3/4"
Spacing	1-3/4"	3-1/4"
Spacing on Center	5-1/2"	7"
Balusters Needed per Linear Foot [LF]	2.182	1.67
Weight LF Baluster, Rail & Hardware	50 lbs.	41 lbs.
Weight Baluster	16.5 lbs.	16.5 lbs.
Weight Extended Baluster	20.5 lbs.	20.5 lbs.
Weight LFTop Rail (RT201)	6 lbs.	6 lbs.
Weight LF Bottom Rail (RB205)	7 lbs.	7 lbs.

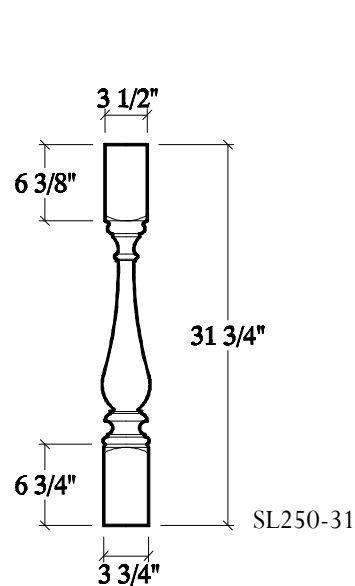
<sup>1</sup> 4" Sphere Code spacing requires that a 4" ball cannot fit through any spacing between balusters.

<sup>2</sup> Common [non-code] spacing can be used in non-access applications or when spacing codes are not required.

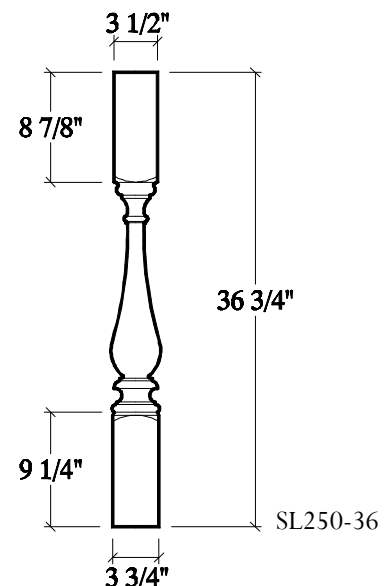
<sup>3</sup> Building codes for residential installations of balusters are typically specified at 36" in height.

### BALUSTERS

#### Straight Applications



#### Straight or Stair Applications



# ❧ The Lexington Residential Collection ❧

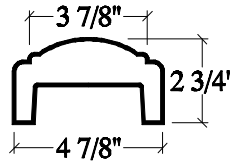
## CODE & HEIGHT CONSIDERATIONS

In some locales the Residential Building Code may require a balustrade height of greater than 36". In these instances the Extended height balusters and Newel Posts may be necessary.

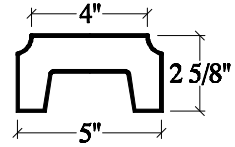
It is the customer's responsibility to determine and meet all applicable building codes.

## RAILINGS

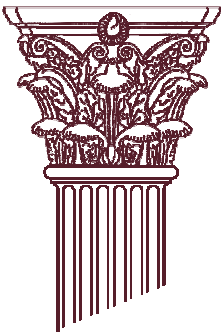
### *Spindle Baluster Railing*



RT201  
Top Rail



RT205  
Bottom Rail



## Timeless Architectural Reproductions, Inc.™

*Designers & Manufacturers of Classic Architectural Products*  
2655 Northgate Avenue ♦ Cumming, Georgia 30041

Toll Free 800.665.4341 Phone 770.205.1446  
Fax 770.205.1447

For more information about Timeless products, visit our web site

[www.TimelessArchitectural.com](http://www.TimelessArchitectural.com)

